



Devonport City Council

PUBLIC NOTICE

APPLICATION FOR PLANNING PERMIT

Section 57(3) Land Use Planning Approvals Act 1993

An application for a planning permit has been made which may affect you.

Application Details

Application Number:	PA2026.0031
Proposed Use or Development:	Residential (single dwelling) – addition
Address of the Land:	28 Swilkin Drive, Spreyton
Date of Notice:	14/03/2026

You are invited to view the application and any documents and plans accompanying it on the ground floor of the paranaple centre at 137 Rooke Street, Devonport or on Council's website www.devonport.tas.gov.au

Any person may make a representation relating to the application in accordance with section 57(5) of the *Land Use Planning Approvals Act 1993*, during a period of 14 days commencing on the date of this notice.

Your representation must:

- be received by close of business on **30/03/2026**;
- be in writing; and
- addressed to the Chief Executive Officer, Devonport City Council:
 - P.O. Box 604, Devonport, Tasmania, 7310; or
 - townplanning@devonport.tas.gov.au

If you make a representation then Council must consider your submission before making its decision on the application.



28 Swilkin Drive Spreyton



This map is made available for the purpose of providing access to Devonport City Council information and not as professional advice. The information contained on the map is diagrammatic only. All information should be verified on site, or with the appropriate State Government Department or Council Office, prior to being used for any purpose.

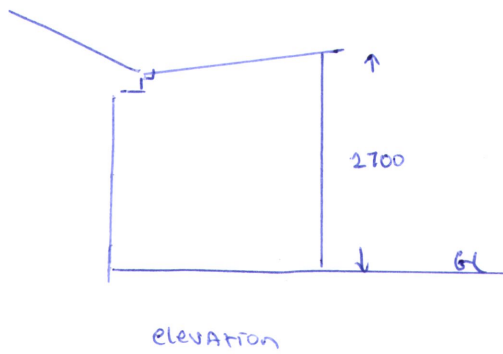
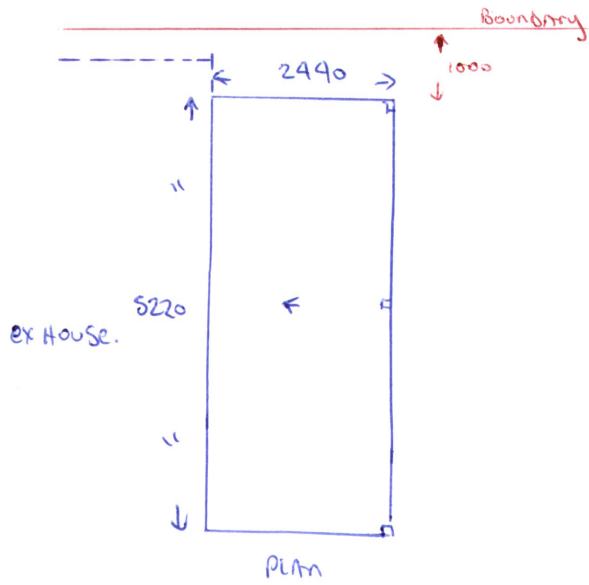
Copyright © Devonport City Council

Created: 12-03-2026 09:19:20



**Devonport
City Council**

Debbie Guntrip
28 Swilkin Dr
SPREYTON



Site Photos



Satellite Markup

